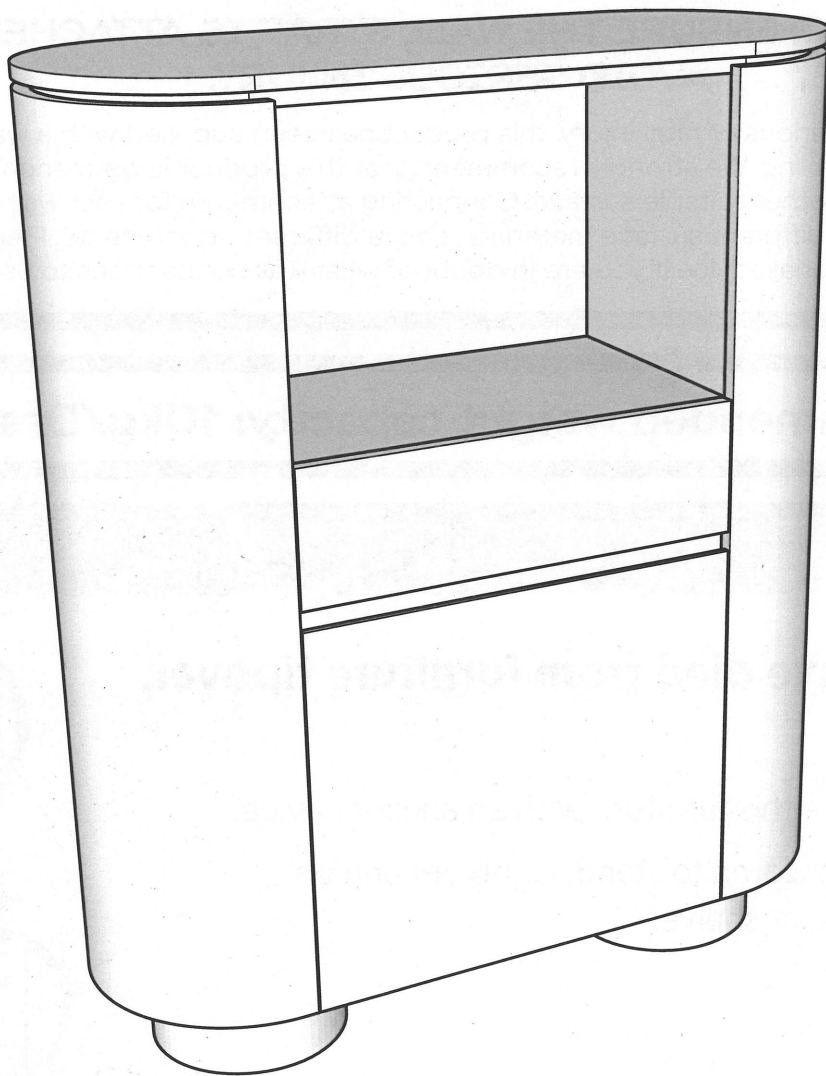


Drinks cabinet

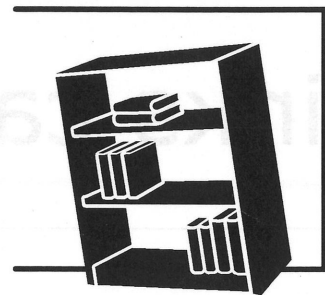


Care Instructions:

Always use coasters or placemats to protect the table surface; remove any liquid spills immediately using a clean cloth or kitchen roll sheet & mild detergent.

Secure it!

Preventing furniture tip-over accidents



WARNING: ENSURE THE WALL STRAP IS ATTACHED TO AVOID SERIOUS INJURY.

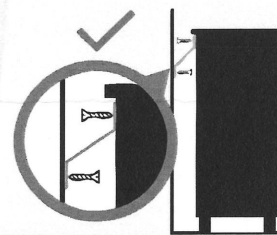
To avoid any serious or fatal injury, this product has been supplied with a wall strap to prevent toppling. We strongly recommend that this product is permanently fixed to the wall or other suitable surface. Connecting attachments for your wall are not included since different surface materials require different attachments. Please seek professional advice if you are in doubt of what wall connections to use.

Recommended weight capacity: 10kg/Drawer

⚠ WARNING

Children have died from furniture tipover.

- ALWAYS secure this furniture with an anchor device.
- NEVER allow children to stand, climb or hang on drawers, doors, or shelves.

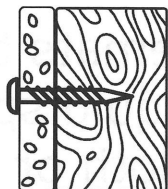


Wall anchoring guide



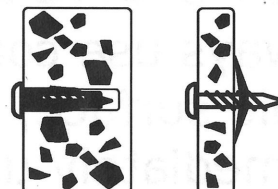
For plasterboard
(with available wood stud)

Securing method:
Self drilling plasterboard anchor.



For plasterboard
(with available wood stud)

Securing method:
Screw inserted directly into stud.



For masonry wall

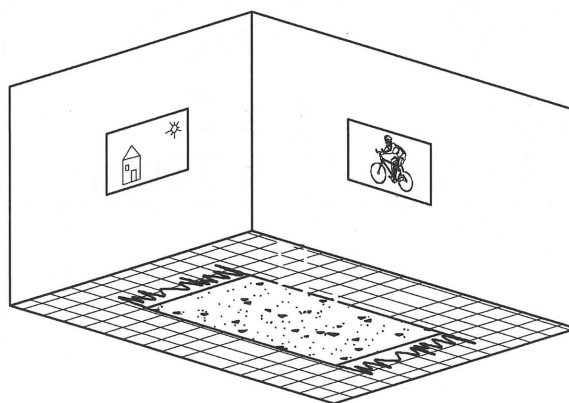
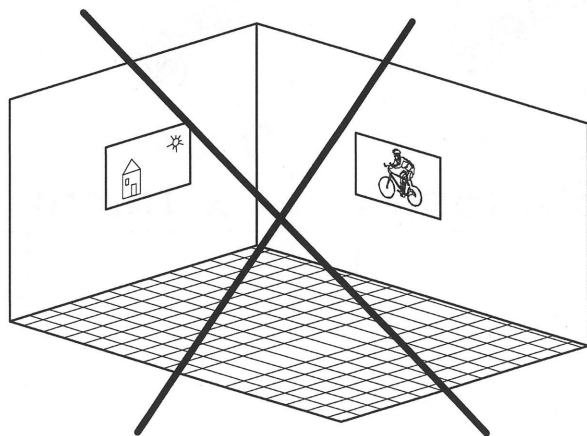
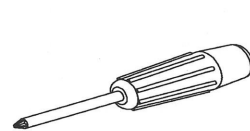
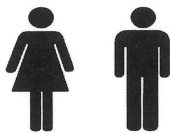
Securing method:
Solid wall: Plug with screw
Hollow wall: Spring toggle

Please seek professional advice if you are in doubt of what fixing device to use.

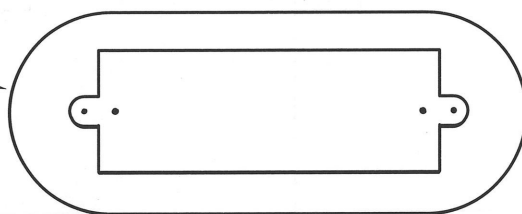
Drinks cabinet



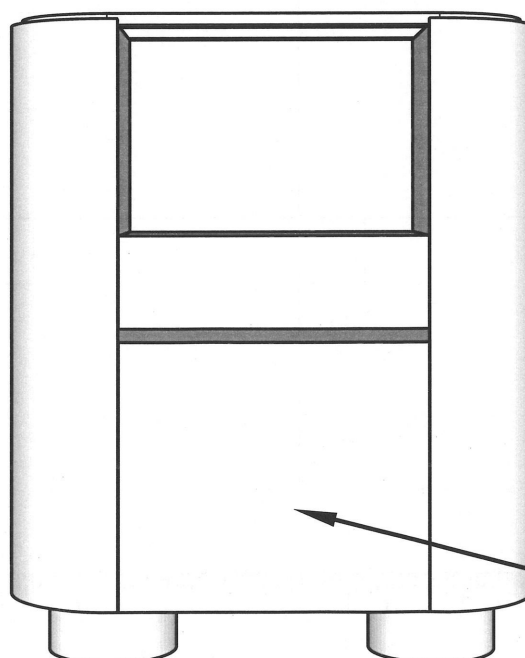
15 min



C1




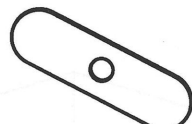


C3 (2x)

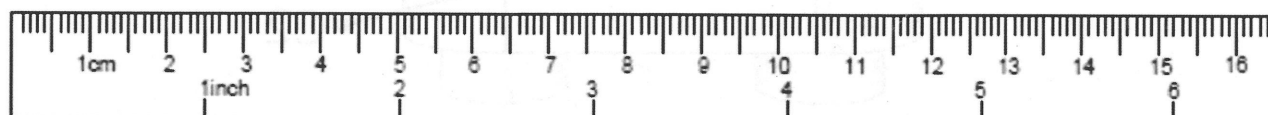


C2

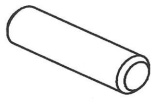
Drinks cabinet



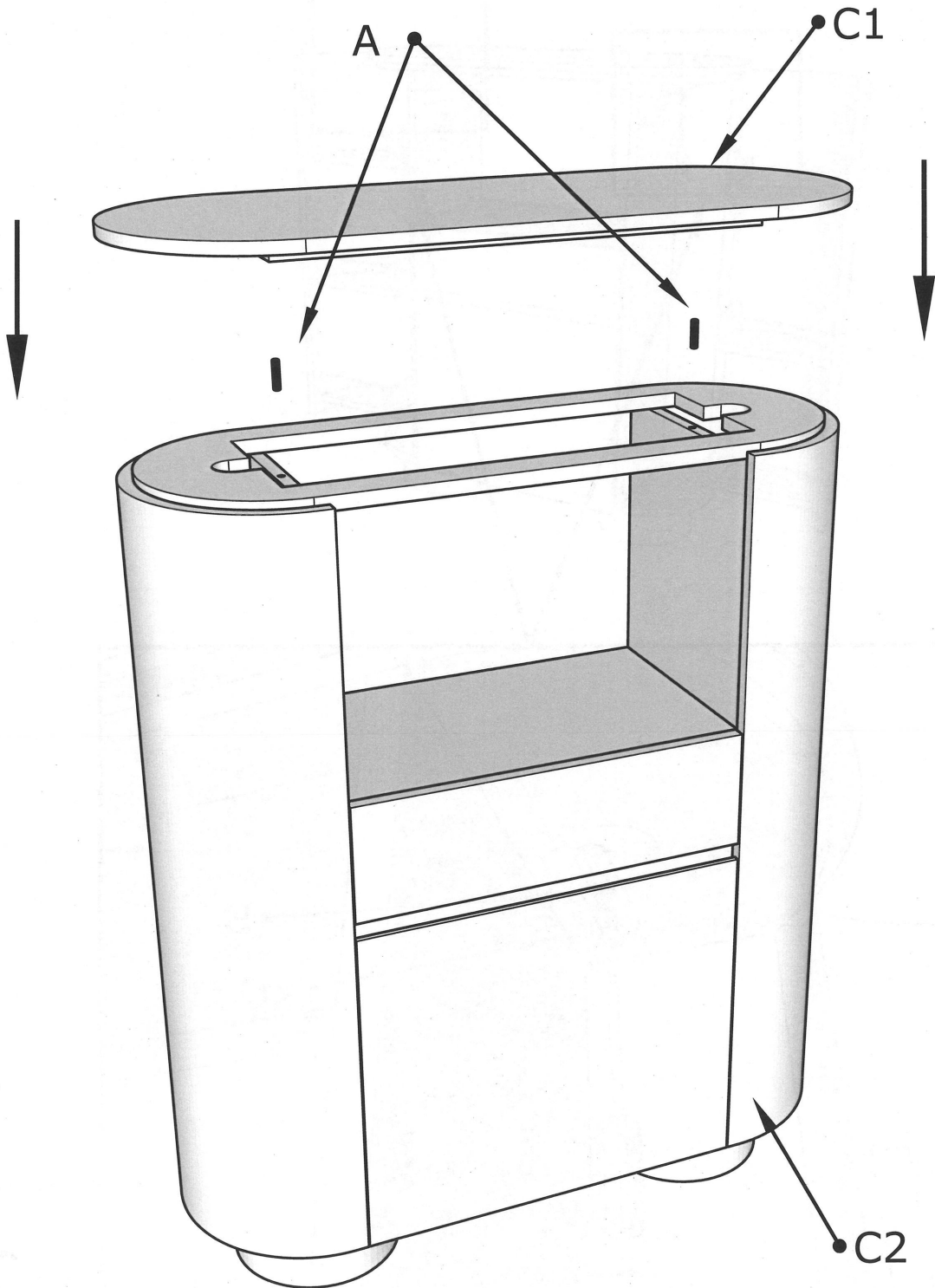
 A x 2 8 x 30mm	 B x 2 2 x 70mm	 C x 2 6 x 15mm	 D x 4 4 x 16mm



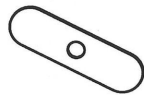
1



Ax2



2



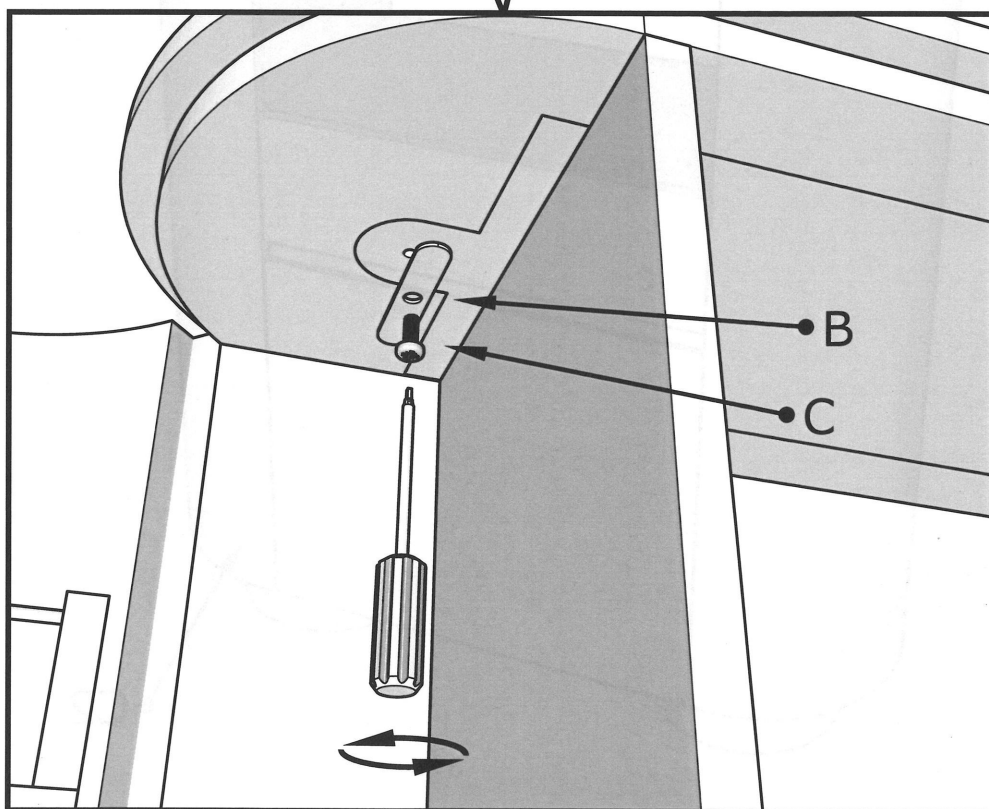
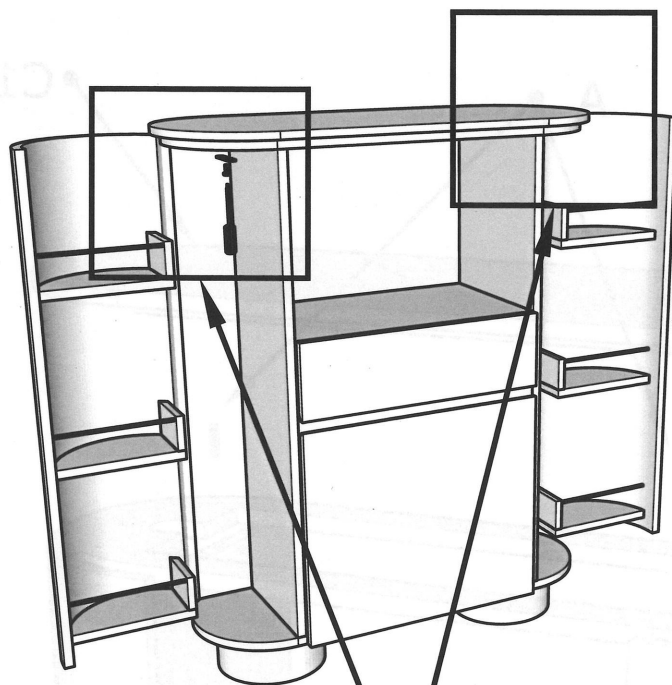
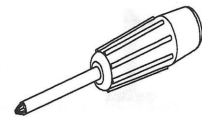
Bx2



Cx6



SxA

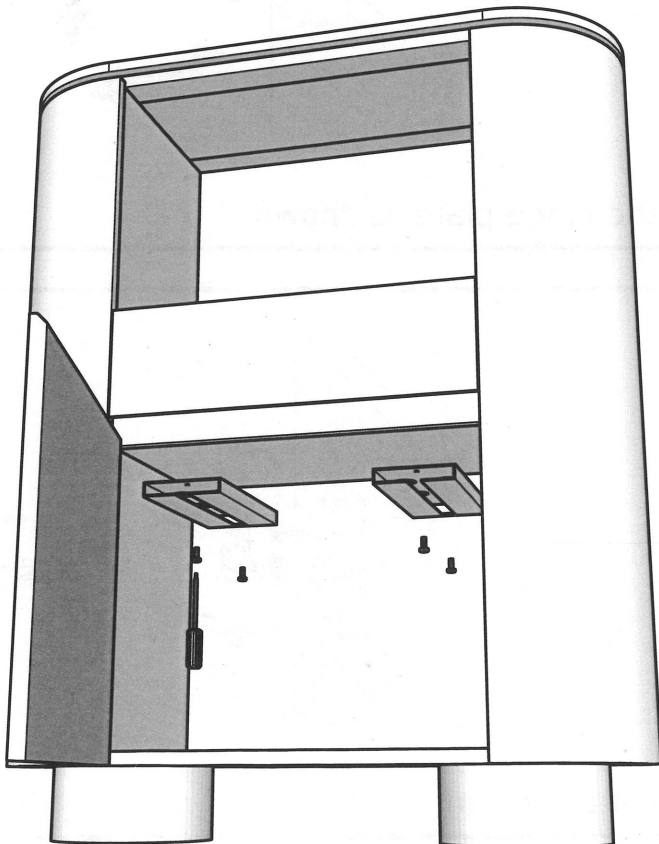
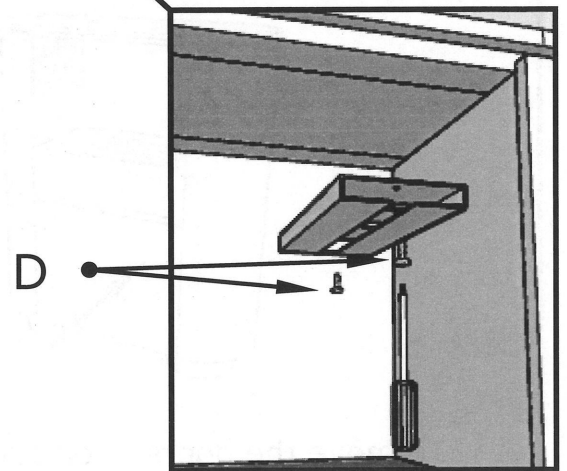
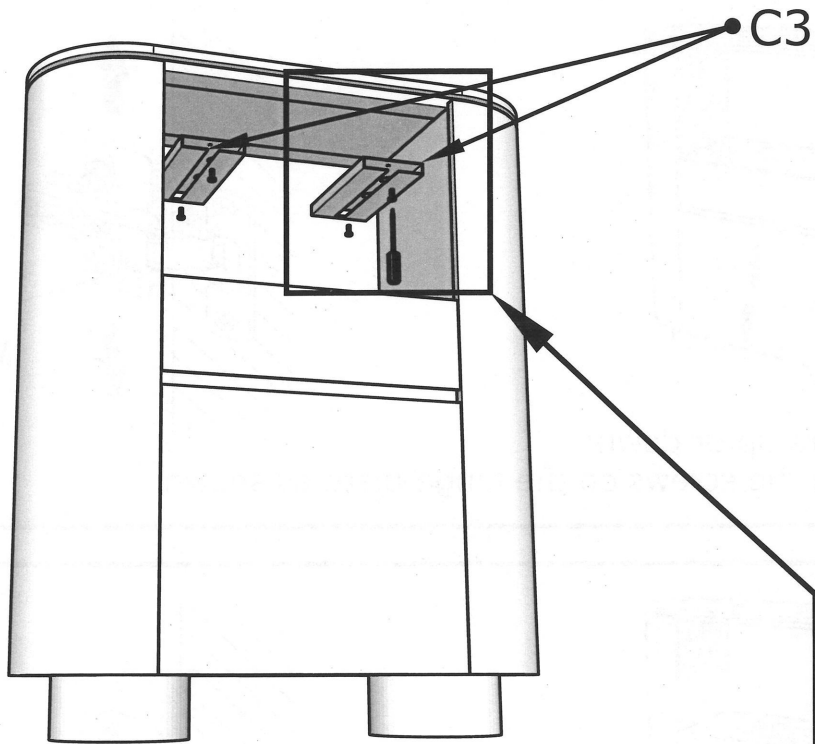
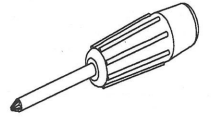


2x

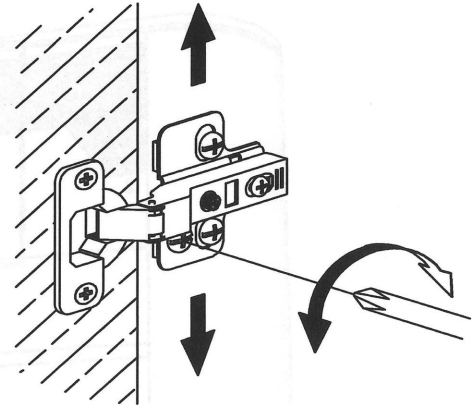
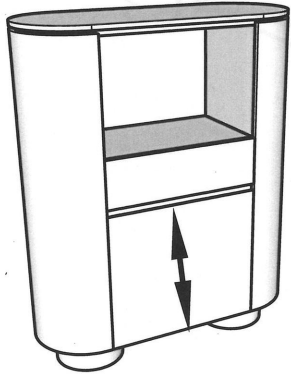
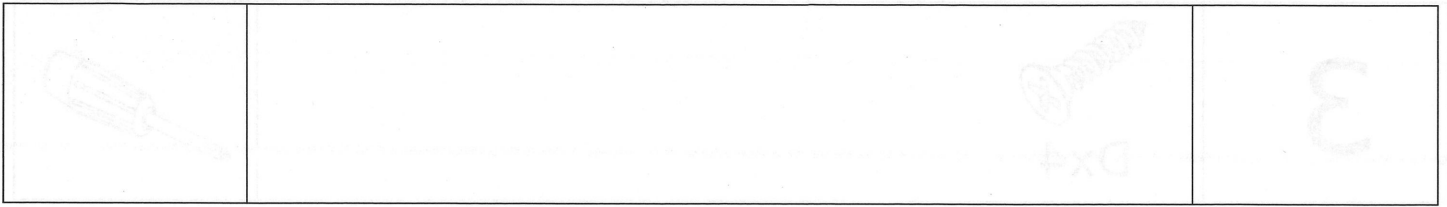
3



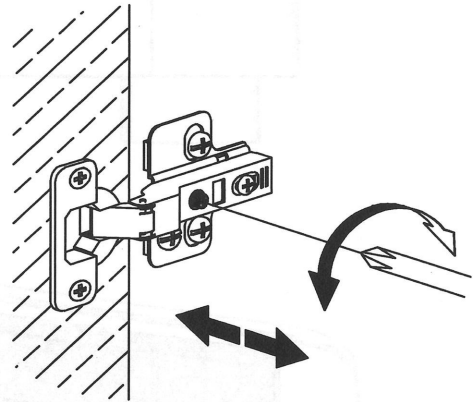
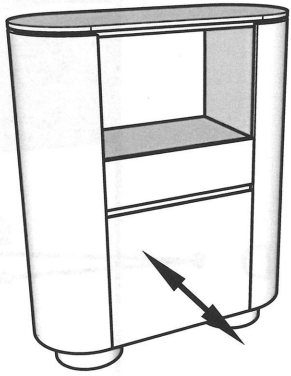
Dx4



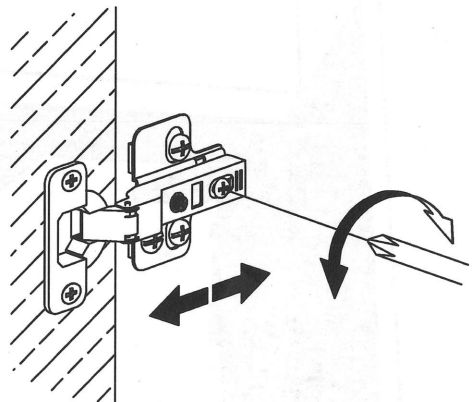
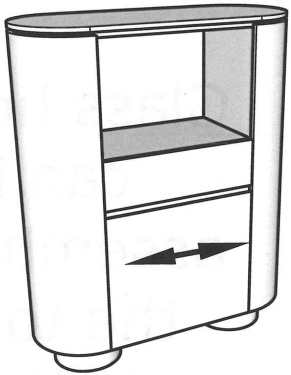
Glass holders
can be
assembled in
the top or
bottom
compartment of
the cabinet



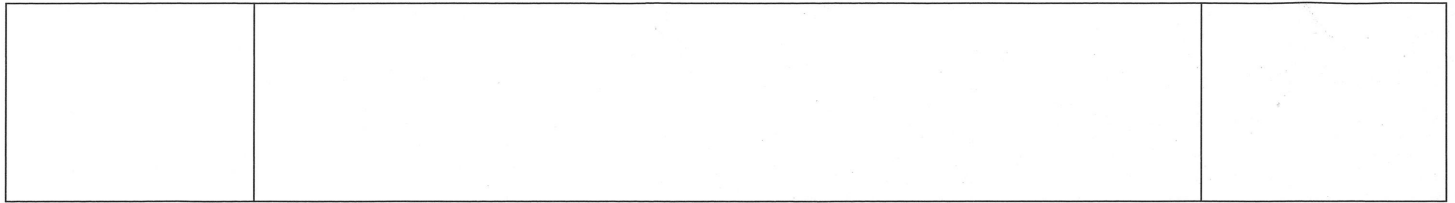
To move the doors up or down:
Tighten or loosen the screws on the hinge plate as shown



To move the doors in or out:
Tighten or loosen the screws on the hinge plate as shown

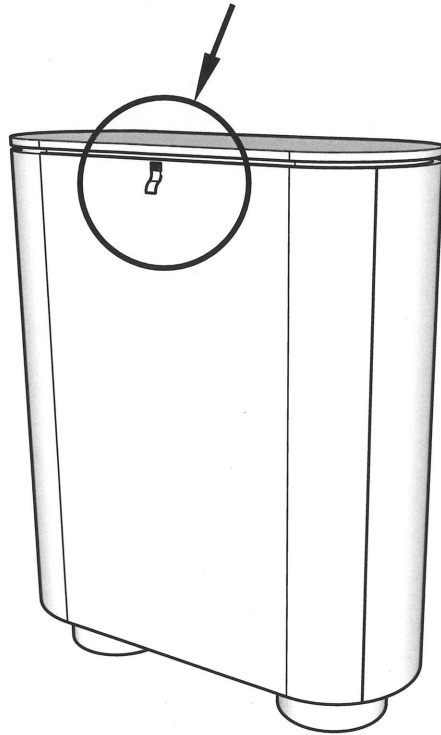


To move the doors left or right:
Tighten or loosen the screws to suit as shown



Anchor point

(please make sure to use fastner suited to your wall material)



⚠ WARNING

--	--

Children have died from furniture tipover.

- ALWAYS secure it with an anchor device.
- NEVER allow children to stand, climb or hang on drawers, doors, or shelves.
- NEVER open more than one drawer at a time.
- Place heavy items down low.

NEVER put a TV on this furniture

This is a permanent label. Do not remove!

