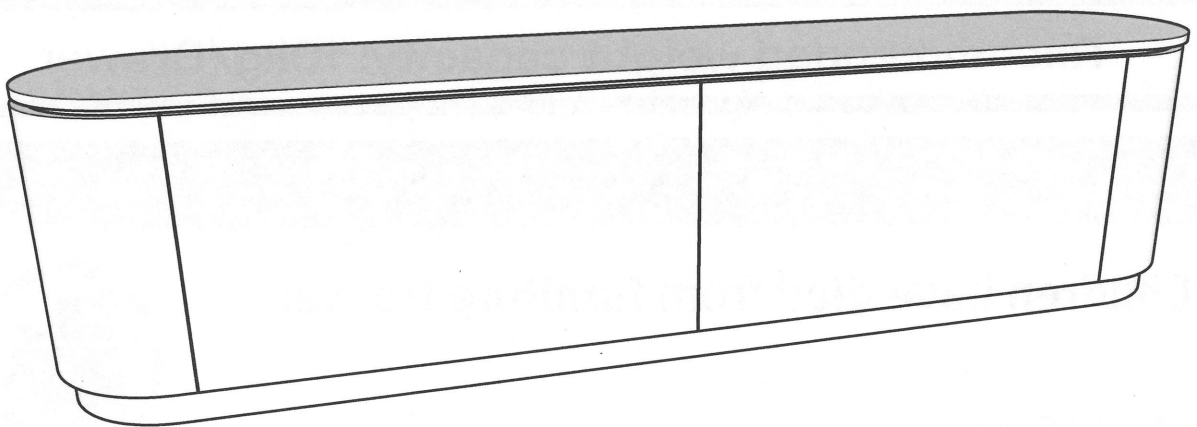


# Toulouse TV stand

---



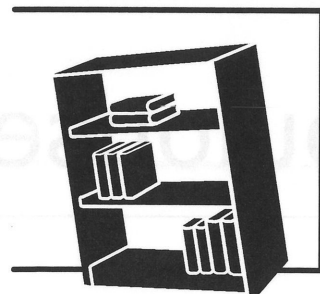
**Do not lift from doors or drawers**

## **Care Instructions:**

Always use coasters or placemats to protect the table surface; remove any liquid spills immediately using a clean cloth or kitchen roll sheet & mild detergent.

# Secure it!

Preventing furniture  
tip-over accidents



## WARNING: ENSURE THE WALL STRAP IS ATTACHED TO AVOID SERIOUS INJURY.

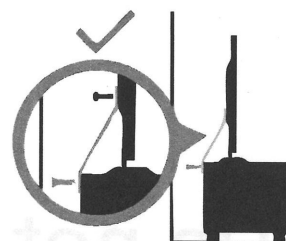
To avoid any serious or fatal injury, this product has been supplied with a wall strap to prevent toppling. We strongly recommend that this product is permanently fixed to the wall or other suitable surface. Connecting attachments for your wall are not included since different surface materials require different attachments. Please seek professional advice if you are in doubt of what wall connections to use.

**Recommended weight capacity: 10kg/Drawer**

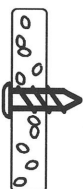
## ⚠ WARNING

### Children have died from furniture tipover.

- ALWAYS secure your television with an anchor device.
- NEVER allow children to stand, climb or hang on drawers, doors, or shelves.

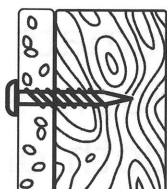


### Wall anchoring guide



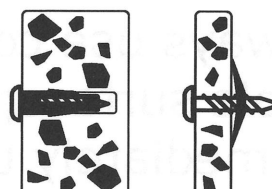
**For plasterboard**  
(with available wood stud)

**Securing method:**  
Self drilling plasterboard anchor.



**For plasterboard**  
(with available wood stud)

**Securing method:**  
Screw inserted directly into stud.



**For masonry wall**

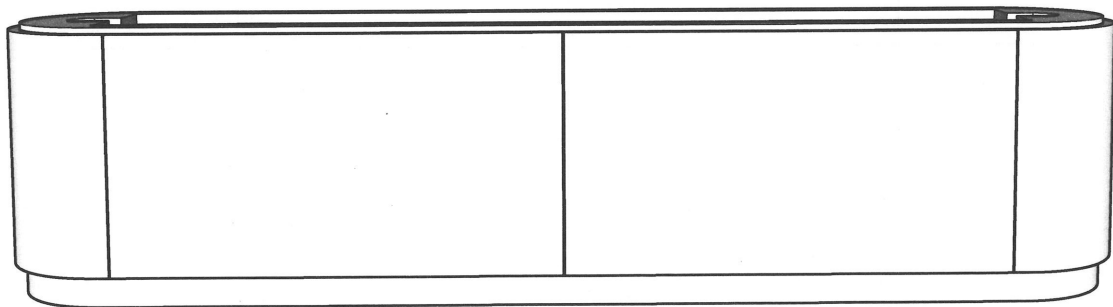
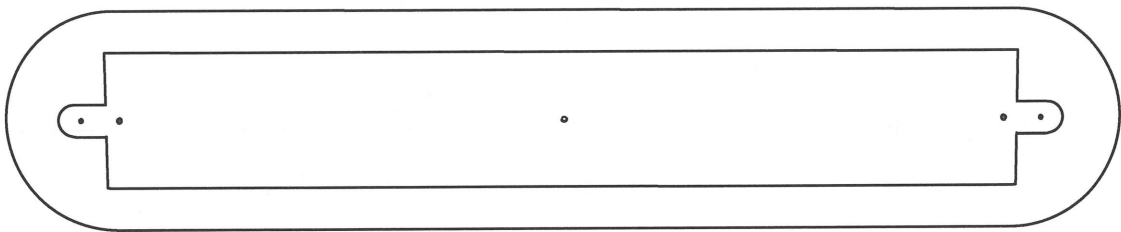
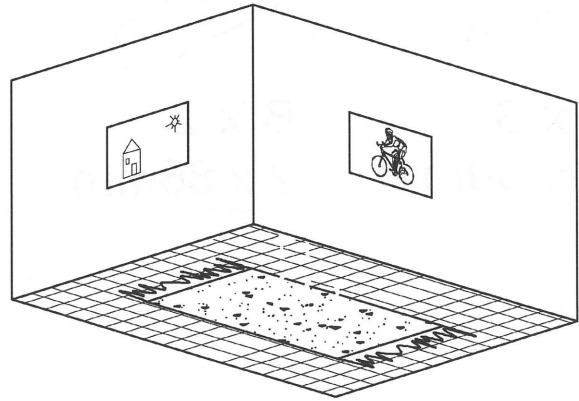
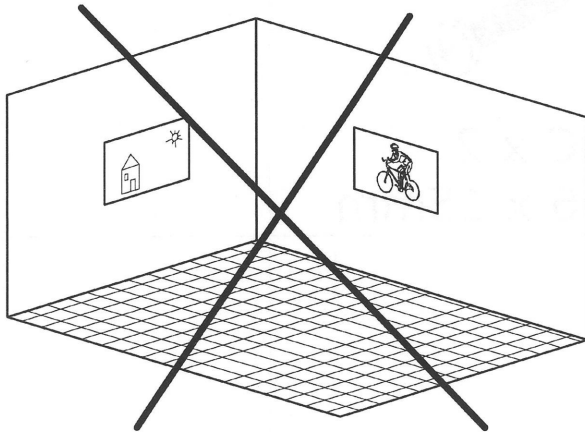
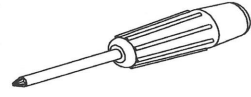
**Securing method:**  
Solid wall: Plug with screw  
Hollow wall: Spring toggle

Please seek professional advice if you are in doubt of what fixing device to use.

# Toulouse TV stand



15 min


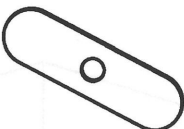



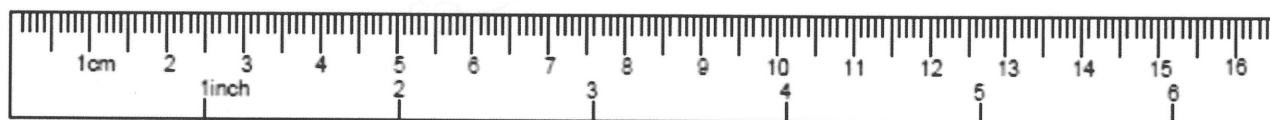
# Toulouse TV stand



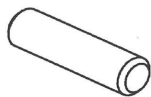
15 min



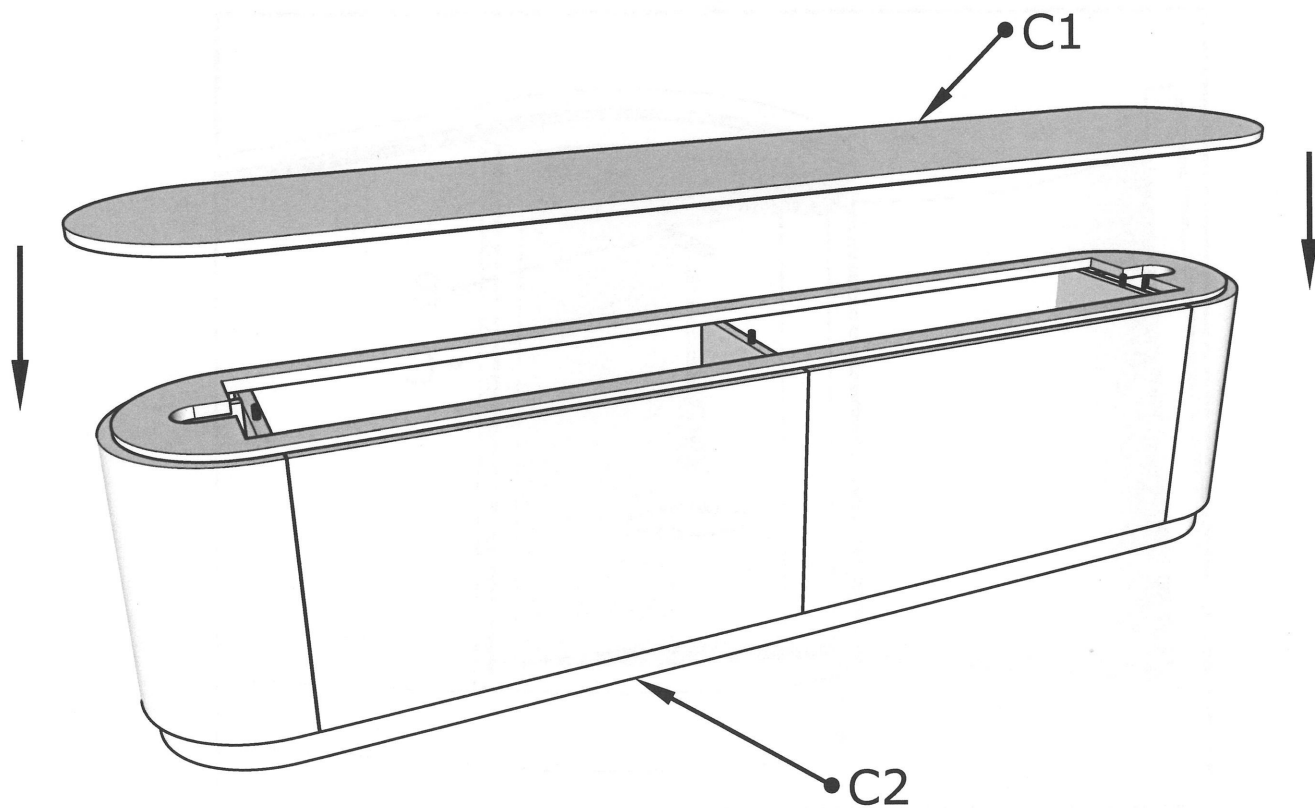
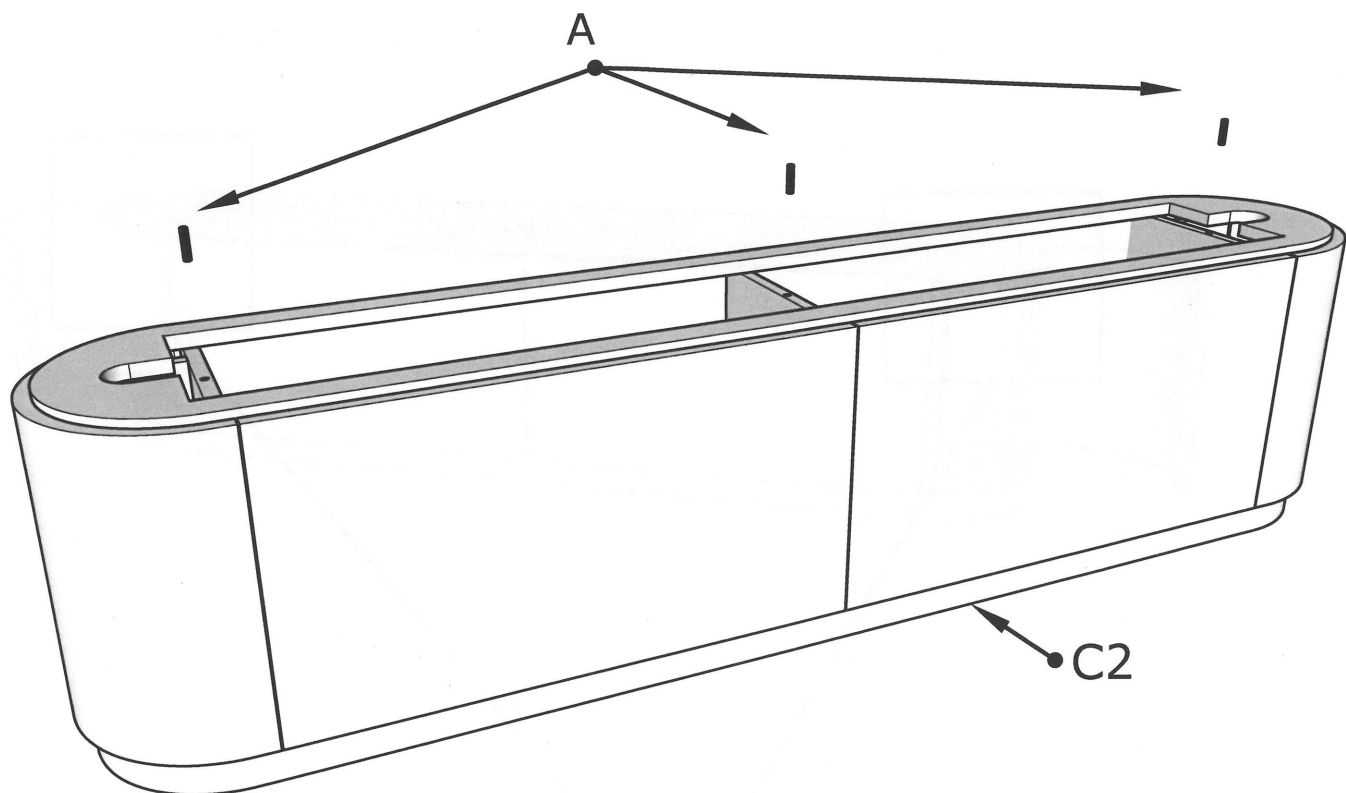
 A x 3 8 x 30mm	 B x 2 2 x 86mm	 C x 2 6 x 15mm	



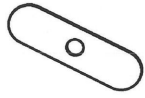
1



Ax3



2



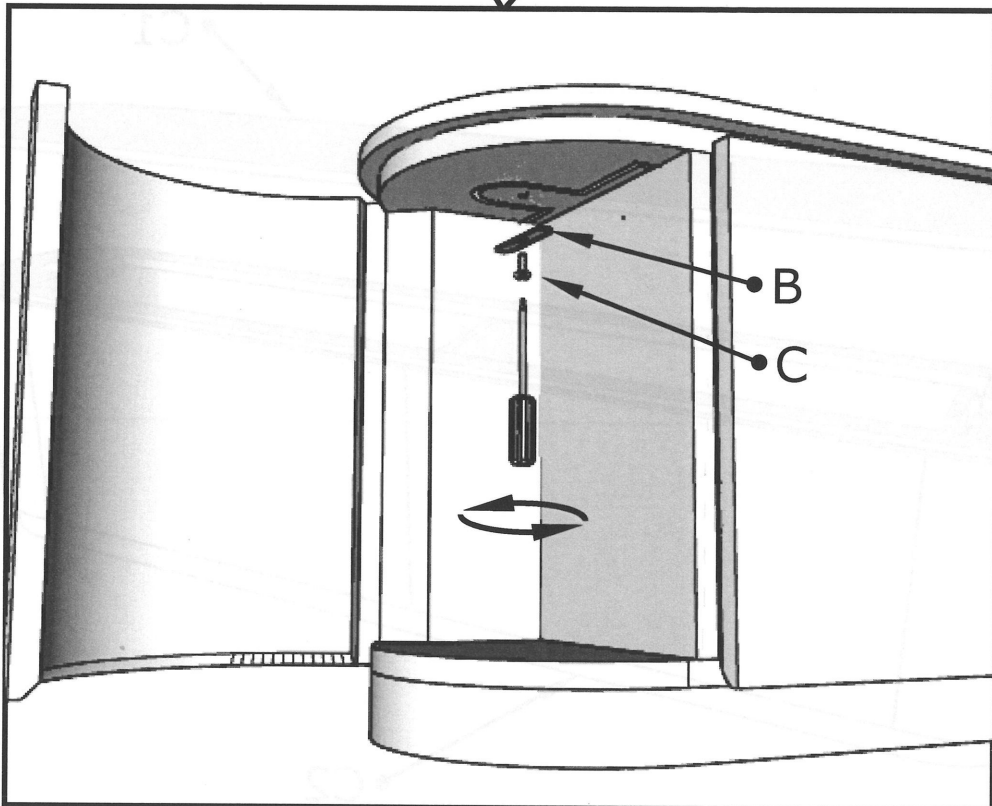
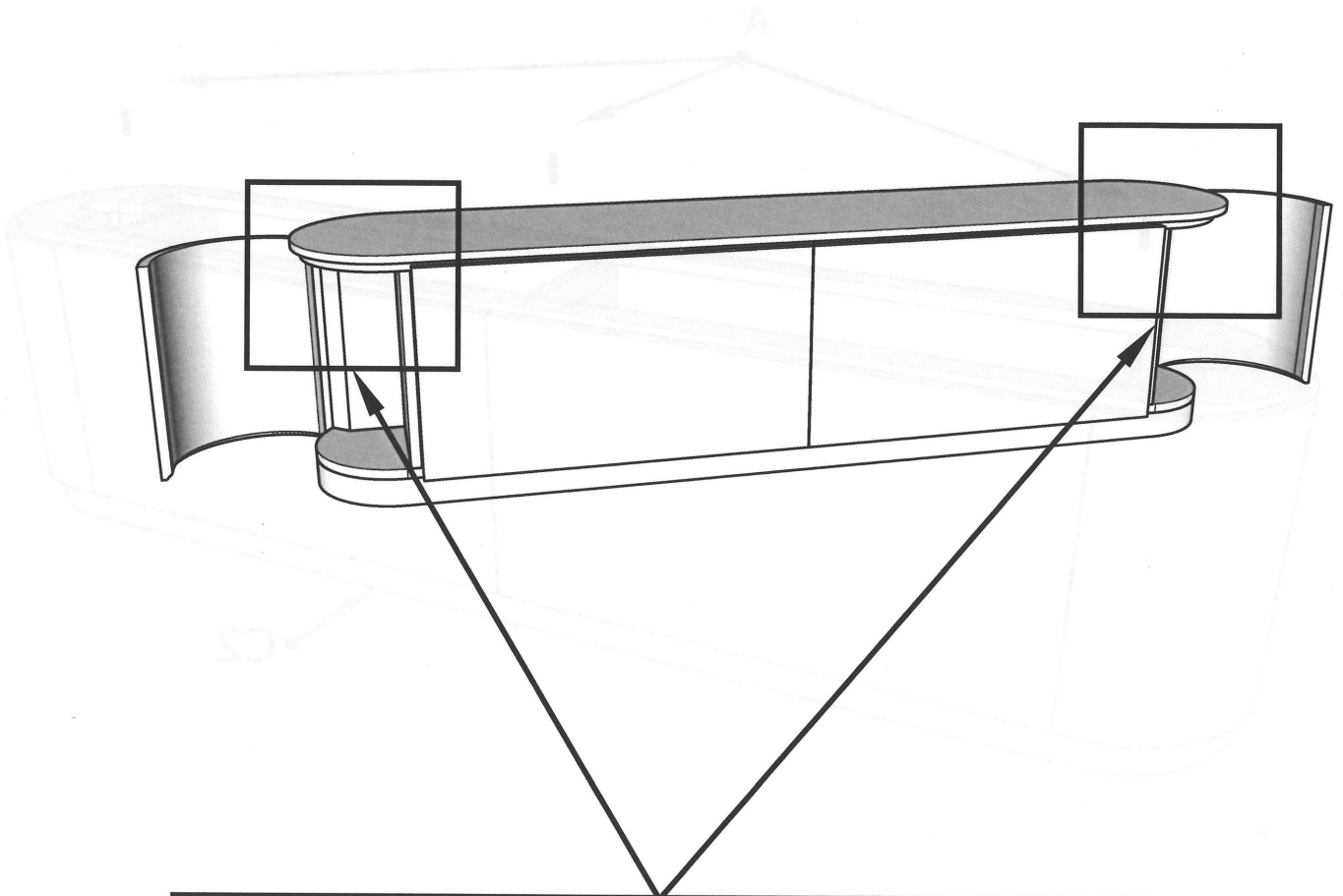
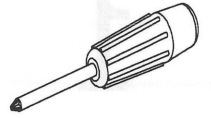
Bx6

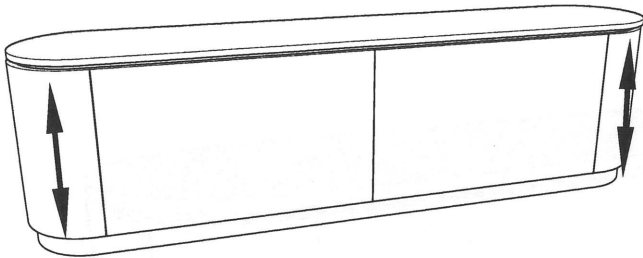
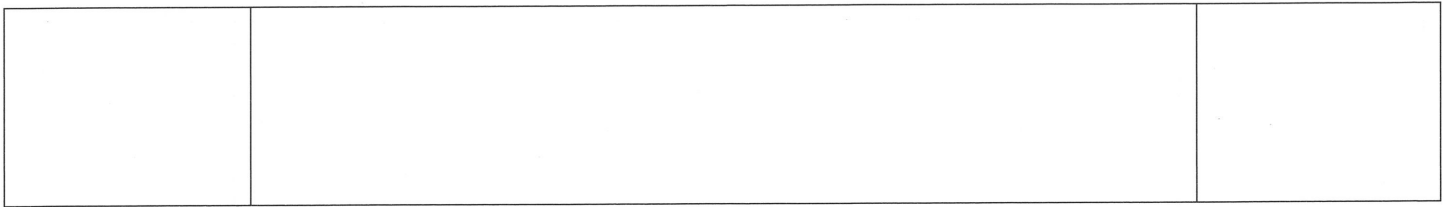


Cx6

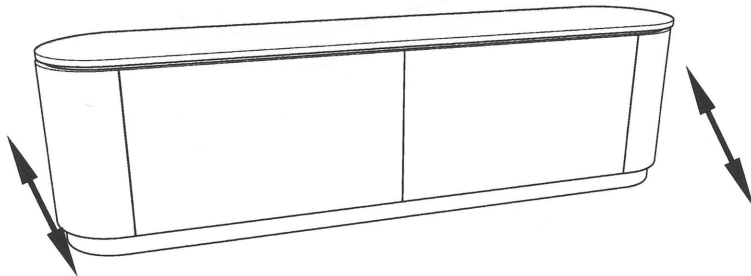
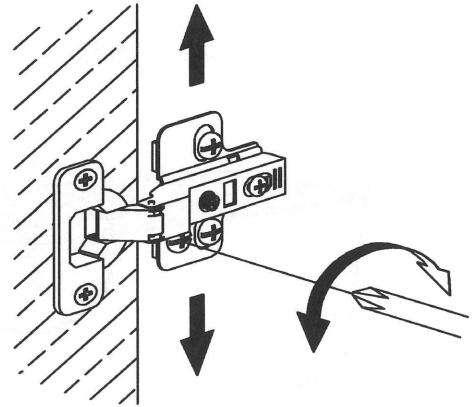


EXA

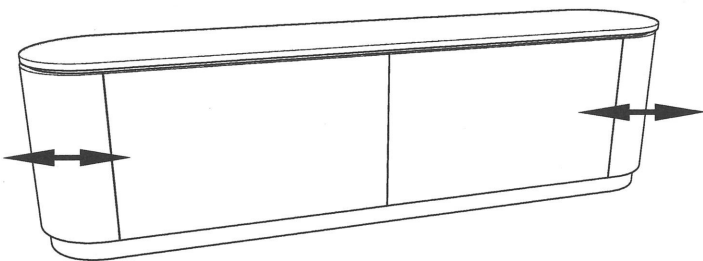
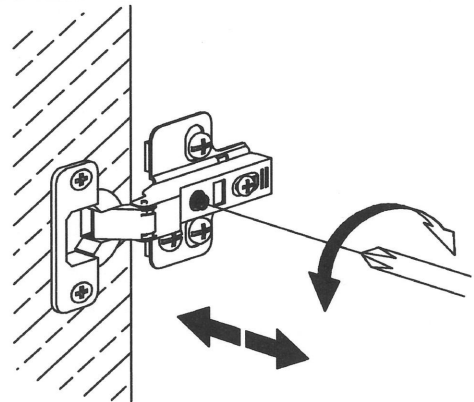




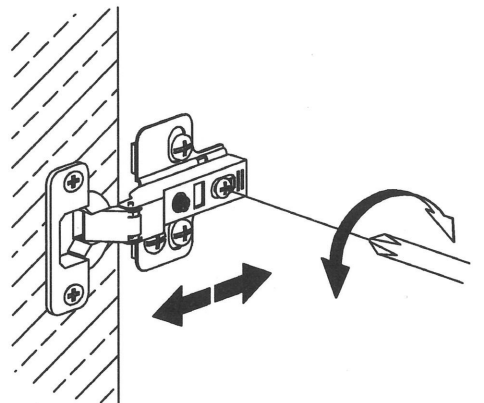
To move the doors up or down:  
Tighten or loosen the screws on the hinge plate as shown



To move the doors in or out:  
Tighten or loosen the screws on the hinge plate as shown



To move the doors left or right:  
Tighten or loosen the screws to suit as shown



--	--	--

### Anchor point

(please make sure to use fastner suited to your wall material)

