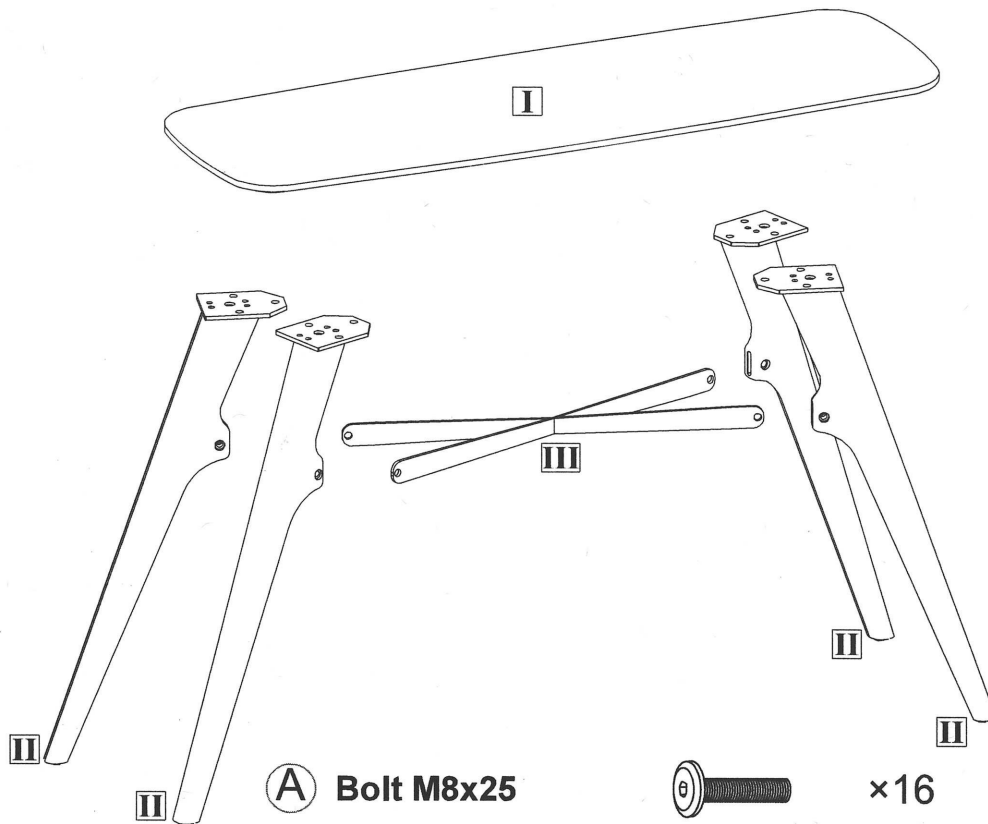
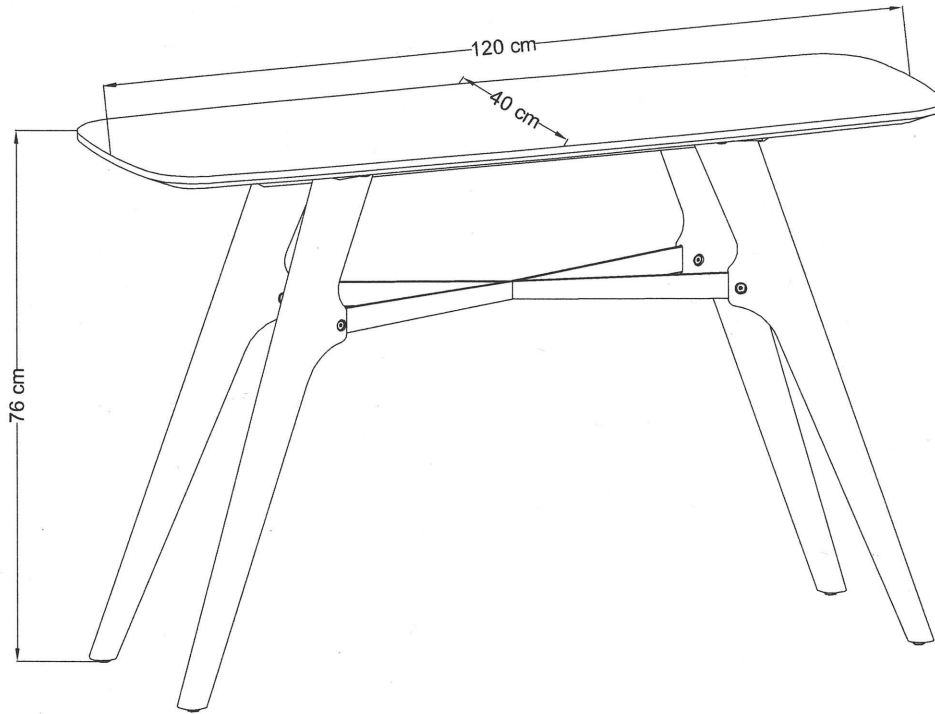


# FLOW CONSOLE 120CM



**A Bolt M8x25**  **×16**

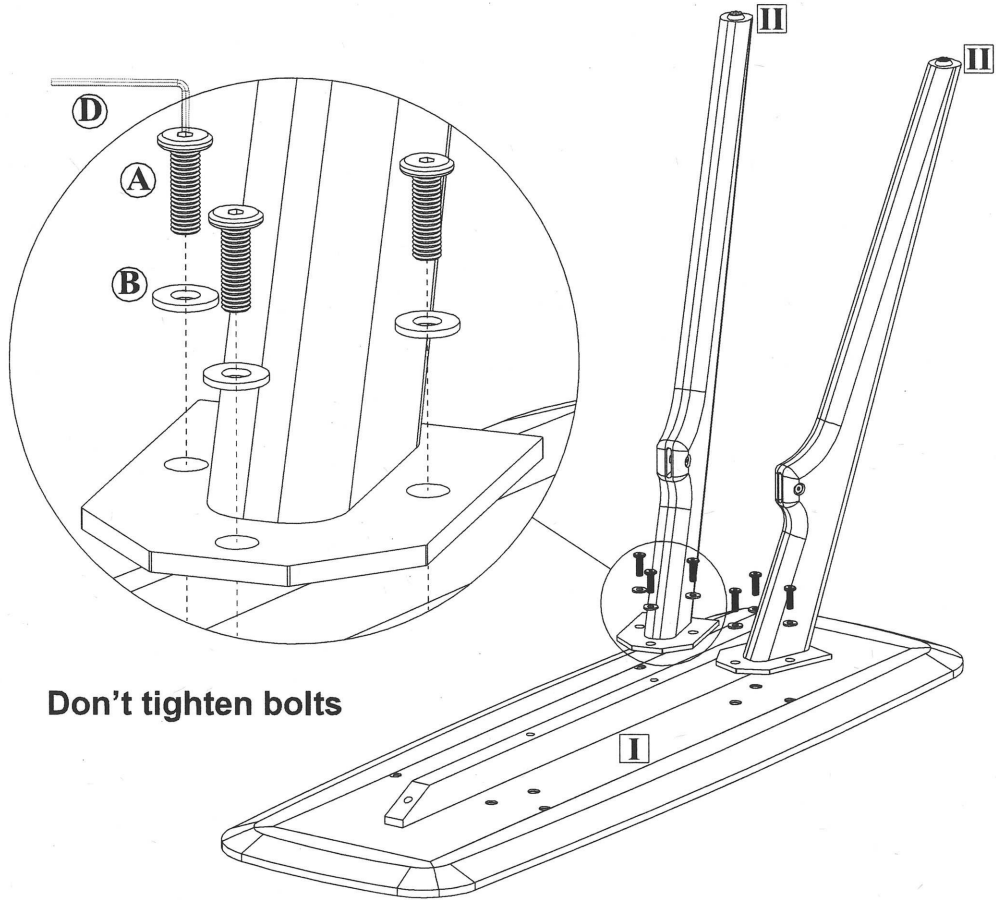
**B Flat washer M8x18**  **×12**

**C Sleeve nut M8x13**  **×4**

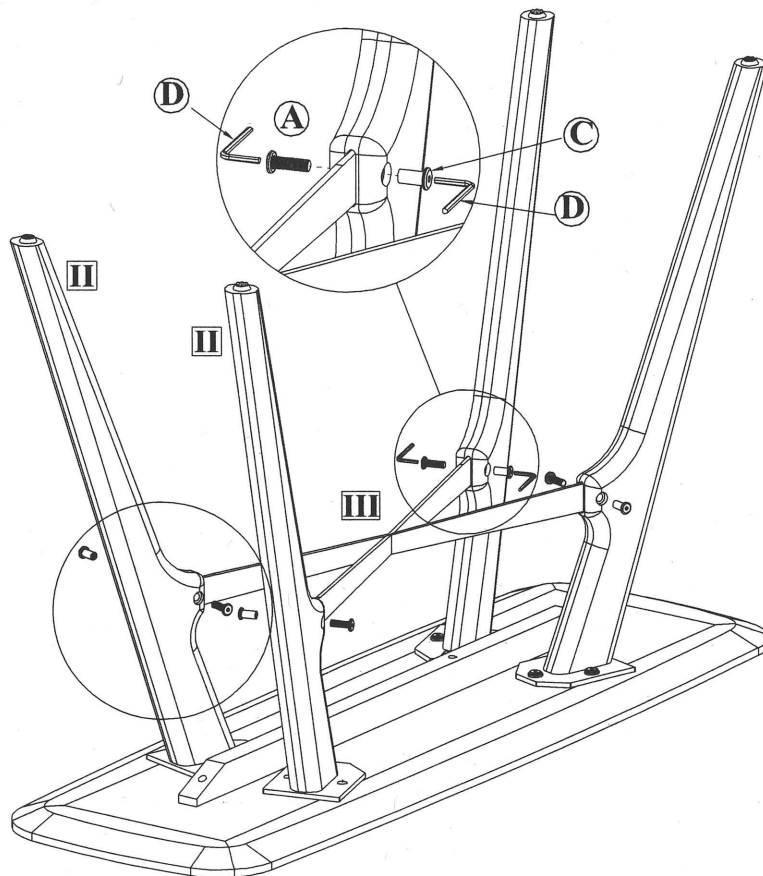
**D Allen key M4x60**  **×2**

# FLOW CONSOLE 120CM

1

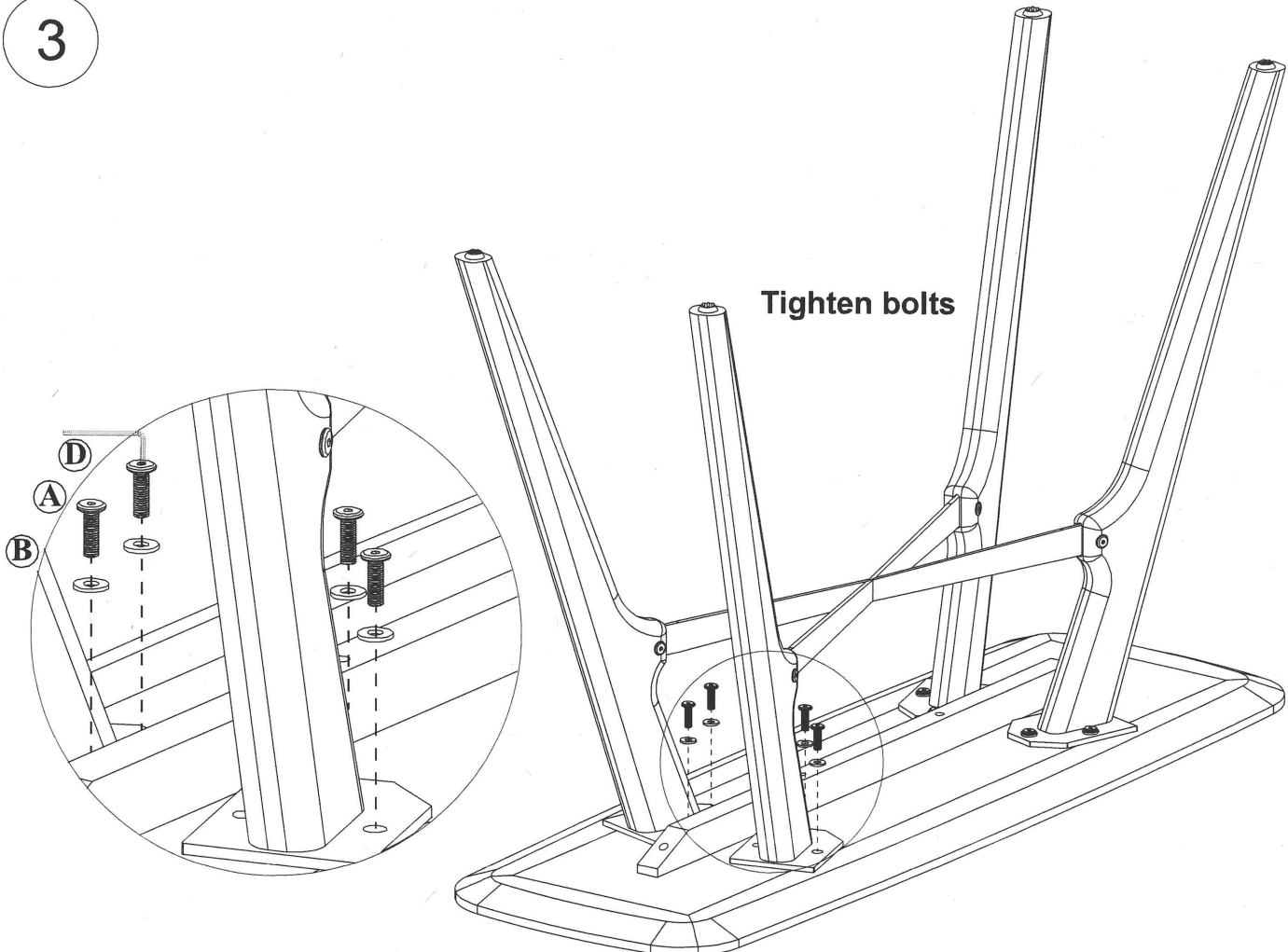


2



# FLOW CONSOLE 120CM

3



4

