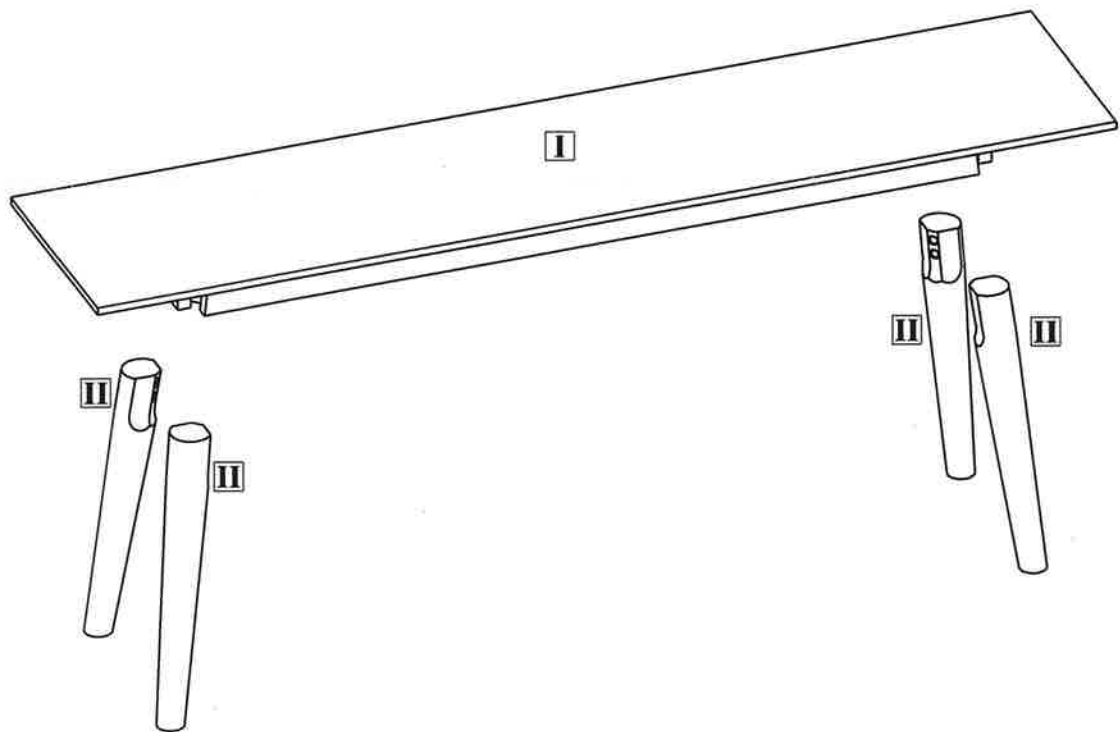
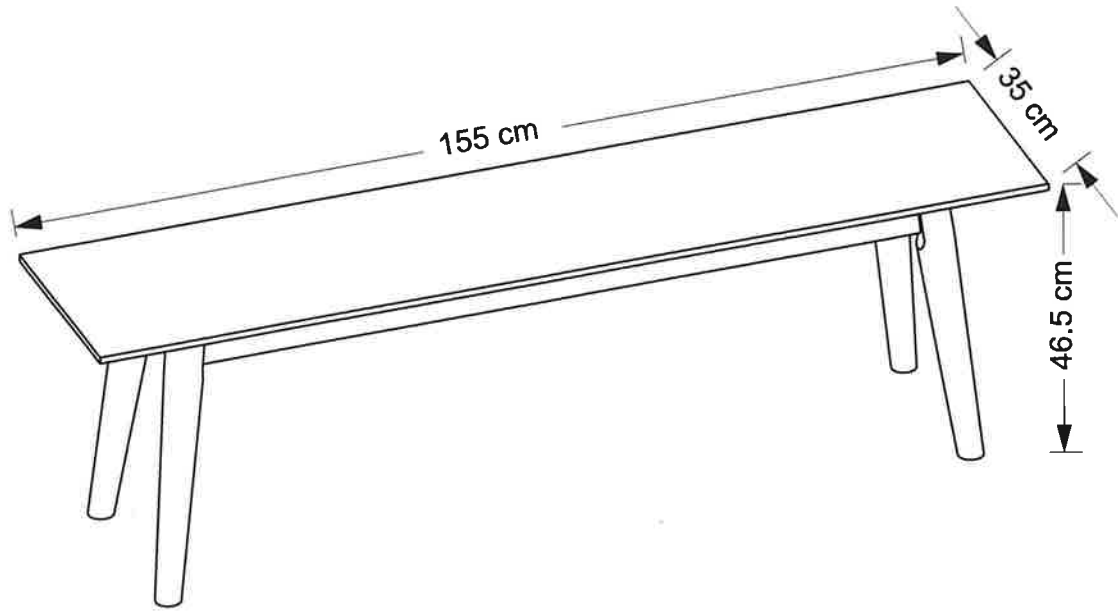


# NORDIK BENCH



- |                              |  |    |
|------------------------------|--|----|
| <b>A</b> Bolt M8x70          |  | ×8 |
| <b>B</b> Flat washer M8x18   |  | ×8 |
| <b>C</b> Spring washer M8x14 |   | ×8 |
| <b>D</b> Allen key M4x100    |  | ×1 |

# NORDIK BENCH

1

