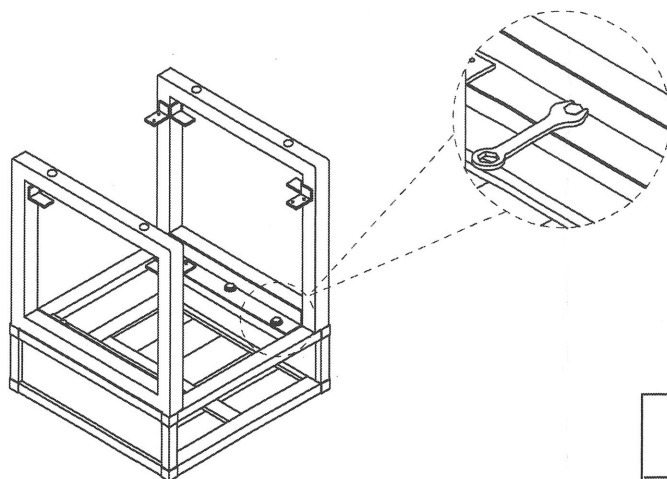






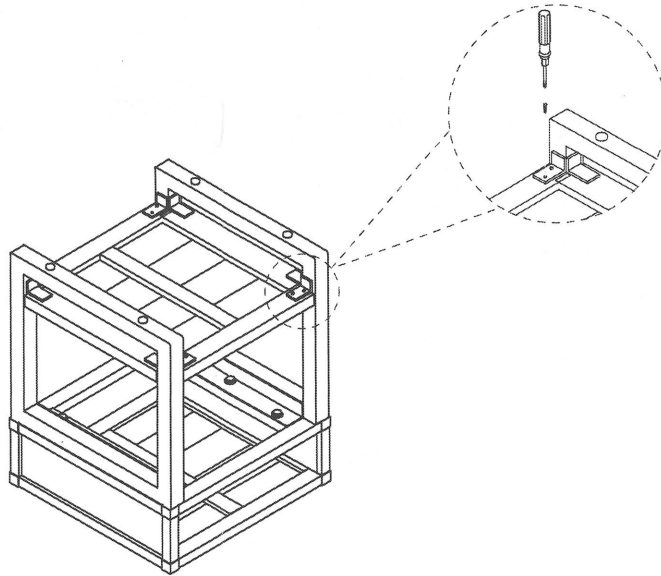
Step 1: We suggest to place the lamp table upside down on a blanket to protect it from scratching.



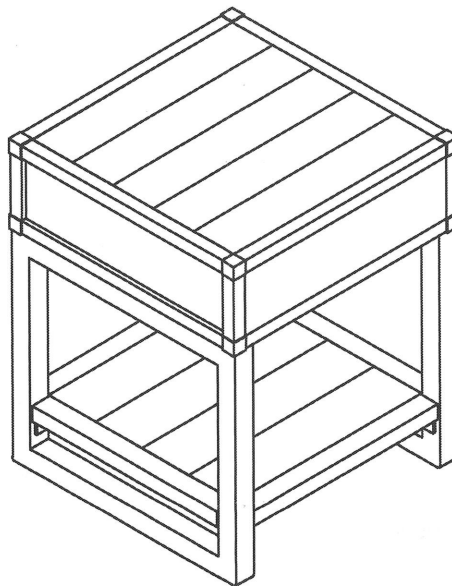
Step 2: Attach the legs using bolt (A) and washer (B).

Step 3: Tighten all bolts by using ring spanner (D), do not use power tool.

Monteringssats			Antal
A	Bult Φ 10 x 25		6
B	Mutterbricka Φ 10 x 20 x 1.8		6
C	Skruv Φ 4 x 20		8
D	Skiftnyckel K17 x 25 x 135		1



• **Step 4:** Attach the shelf using screws (C)



Klart